

### Accessories and Sealants

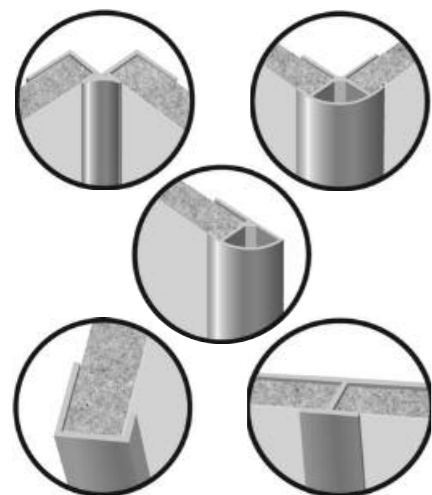
Important accessories to help with a successful installation of Selkie Board include:

**Finishing Trims:** designed specifically for Selkie Board are available in satin silver, polished chrome, white & black including:- Internal Corner Profile, External Corner Profile, End Cap, Quad End cap & 'H' section (for joining of consecutive square edged Boards).

**Sealants and Adhesives:** For best results we recommend that Selkie Board is installed using an external grade 'high grab adhesive' such as GRIP FILL. This will quickly secure the Selkie Board to the fixed wall. For sealing of all profiles and trims we recommend the use of a clear silicone waterproof sealant.

If you are panelling an entire wall using tongue and grooved\* panels, we recommend the use of Rearo colour matched sealant for a seamless finish.

*\*Please see Tongue and Grooved installation guide.*



### Cleaning

Once installed, Selkie Board requires minimal maintenance. Selkie Board should be cleaned with warm water and a non-abrasive mild detergent.

Scouring products or similar products should not be used, and doing so may invalidate your warranty.



### Panseal Kit

Where it is identified that there may be a risk of movement such as a flexible floor or the possibility of settlement it may be appropriate to use a system such as "Panseal". The Panseal kit ensures that the joint between the bottom of the Selkie Board and the top of the shower tray is secure and watertight. (fig 14)

*Please see fitting instructions supplied with kit.*

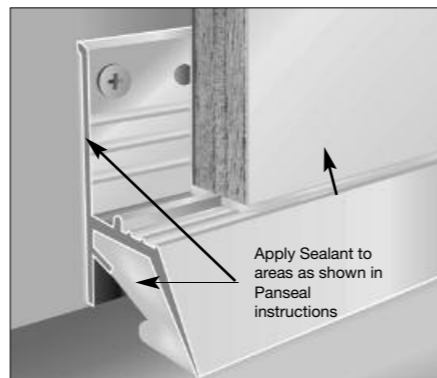


Fig14.



Please be aware that these instructions are not exhaustive, if you require further information, advice or are in any doubt as to how to proceed please contact the Rearo technical team on 0141 440 0800.

Please also note that for all installations there are some general, simple guidelines which must be followed without which our warranty would be invalidated including:

- all exposed edges of panels must be sealed.
- panels should never be fitted directly onto a shower tray without adequate sealing. Please see instructions.

### FURTHER INFORMATION

For further information please contact your local rearo service centre, where our experienced team can offer further advice regarding installation or maintenance.

# REARO®

Rearo, Loanbank House, Loanbank Quadrant, Govan, Glasgow, G51 3HZ  
Tel: 0141 440 0800 Fax: 0141 445 3342 [www.rearo.co.uk](http://www.rearo.co.uk) [sales@rearo.co.uk](mailto:sales@rearo.co.uk)

#### Rearo AYR

Unit 42-44  
Heathfield Business Park  
Boundary Road  
Ayr KA8 9DJ

T: 01292 289 338  
F: 01292 261527  
E: [ayr@rearo.co.uk](mailto:ayr@rearo.co.uk)

#### Rearo GATESHEAD

Unit 3,  
Eastern Avenue Trade Park  
Team Valley  
Gateshead NE11 0ZJ

T: 0191 482 2298  
F: 0191 482 6245  
E: [gateshead@rearo.co.uk](mailto:gateshead@rearo.co.uk)

#### Rearo INVERNESS

7 Burnett Road  
Longman Industrial Estate  
Inverness  
IV1 1TF

T: 01463 239918  
F: 01463 221130  
E: [inverness@rearo.co.uk](mailto:inverness@rearo.co.uk)

#### Rearo SHETLAND

Staneyhill Gas Depot  
North Road  
Lerwick  
Shetland Isles  
ZE1 0QA

T: 01595 692807  
F: 01595 695469  
E: [lerwick@rearo.co.uk](mailto:lerwick@rearo.co.uk)

#### Rearo NEWPORT

Unit 14 & 15 Estuary Crt  
Estuary Road  
Queensway Meadows  
Newport NP19 4SP

T: 01633 283000  
F: 01633 283001  
E: [newport@rearo.co.uk](mailto:newport@rearo.co.uk)

#### Rearo ROSYTH

Unit 15 & 16 Primrose Lane  
Dunfermline Business Park  
Rosyth  
KY11 2RN

T: 01383 414000  
F: 01383 414400  
E: [rosyth@rearo.co.uk](mailto:rosyth@rearo.co.uk)



# Selkie BOARD

## INSTALLATION GUIDE

DOMESTIC 2 OR 3 SIDED SHOWER INSTALLATION  
(Standard square edged panels)

Please carefully read the following information to ensure that you do not invalidate your 15 year warranty.

# Selkie Board Installation Guide

## Standard square edge panels

### Getting Started

#### Tools

We recommend that the following tools are available prior to installation.

- Pencil & Ruler • Measuring Tape
- Jig saw or Hand saw • Masking Tape
- High-grab adhesive • Silicone Sealant

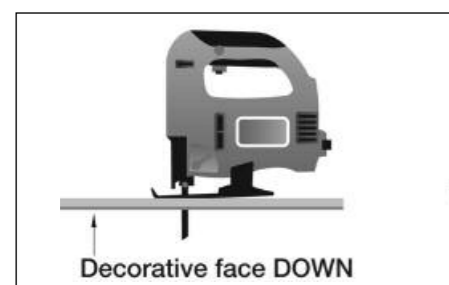


Fig1.

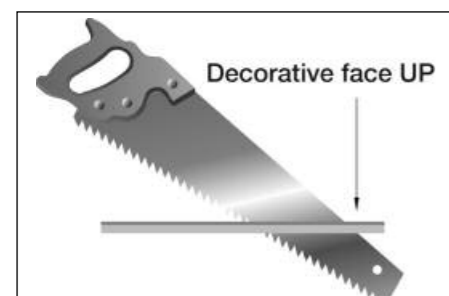


Fig2.

#### Wall preparation

It is essential that walls should be completely dry before installing Selkie and any source of dampness is treated. Wherever possible, remove existing wall coverings such as wall paper and fabrics. Assuming walls are reasonably level/flat then there is no need to make good the surface to be covered.

#### Cutting of Panels

When using a jig-saw with upward cutting jig-saw blade (fig 1), panels should be cut from the back, decorative face down to prevent chipping of the laminate surface. When using a standard hand saw (fig 2) - decorative face should be UP.

For the best results - where possible apply masking tape along the line of cut.

#### Cutting Apertures

Although Selkie Board has a highly durable finish, care should be taken when cutting apertures or inspection hatches.

Internal corners of apertures and cut outs MUST always be smoothly radiused to as large as possible, with a 5mm minimum radius. This radius should be increased as the side lengths of the aperture are increased.

Ensure that wooden blocks are placed below your drilling areas to prevent 'burst out' and any possible damage to the decorative face.

Mark out cutting shape to rear face and drill positions on front ensuring one at each corner.

Drill holes at suitable intervals around perimeter of shape on front face (fig 3).

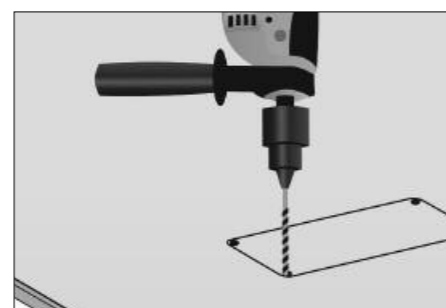


Fig3.

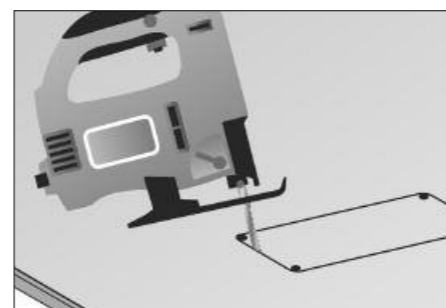


Fig4.

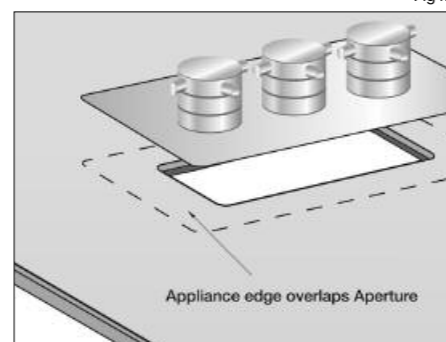


Fig5.

Leave a 3mm clearance around all pipes and accessories and seal with silicone sealant.

Using jigsaw, slowly cut around perimeter of shape of cut out on rear face (fig 4).

When using a circular saw or fine-tooth blade hand-saw, panels should be cut decorative face up, with the protective film removed from the cutting line only.

Ensure that your fitting overlaps the aperture cut-out. (fig 5).

When measuring distance from walls, or past shower enclosures, allowances should be made for the thickness of aluminium profiles and the space between walls and profiles.



## selkie waterproof wall cladding system is quick and easy to install

### 2 Sided Shower Enclosure

(a) Position shower tray, level and fix in accordance with the manufacturer's instructions (fig 6)

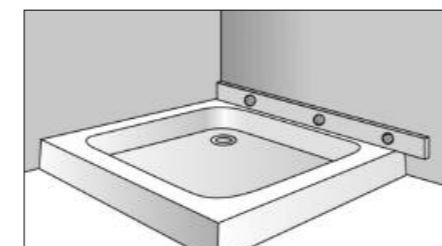


Fig6.

(b) Begin by securely screw fixing the internal corner profile extrusion in the required position (fig 7), ensuring that it is plumb in both directions.

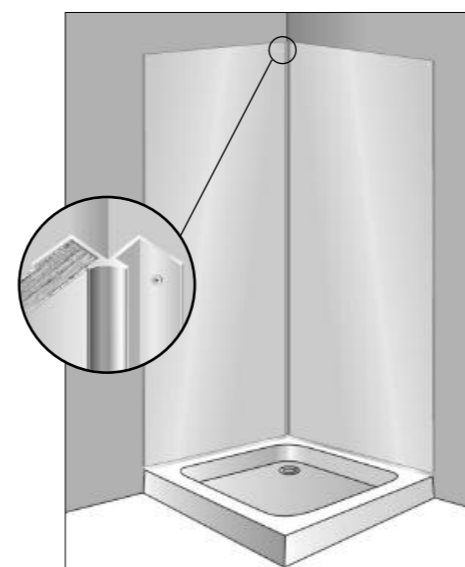


Fig7.

(c) Cut the panels to the correct height and width. *Please Note: Peel back the protective film at this stage by approx. 50mm to accommodate fitting.*

After cutting - we recommend a "dry fit" (before applying adhesive or Silicone Sealant) of the Selkie Board to ensure correct fitting.



Fig 8.

(d) Apply a generous bead of silicone sealant into the channel of the corner profile section (fig 8).

(e) If applying an 'end cap' (fig 9) apply a generous bead of sealant along the length of the 'end cap', then fix into position by applying hand pressure across the full area of the panel.



Fig 9

**Please note: take care not to apply excessive silicone to channels in profiles**

(f) Apply a bead of panel adhesive around the perimeter on the back surface of the panel along with a grid (approx 300mm squares) covering the full area of the panel (fig 10).



Fig 10.

(g) The Selkie Board should be fitted to be positioned just above the shower tray. Using 'packers', leave a 3-4 mm gap from the base of the Selkie board to the top edge of the shower tray.

(h) Ease the panel into the corner profile and fit panel onto wall (fig 11).

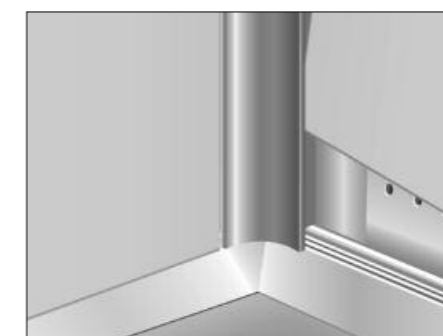


Fig 11.

(i) When the adhesive has set and the Selkie Board securely in position remove the 'packers'.

(j) Fill the gap between the tray and the panel with silicone so the panel is effectively sitting on a "bed" of sealant.

(k) Run bead of silicone to face of gap ensuring a neat smooth "perfect" finish

(l) Repeat the same process on the adjacent panel.

(m) Remove the remainder of the protective film to complete the installation (fig12).

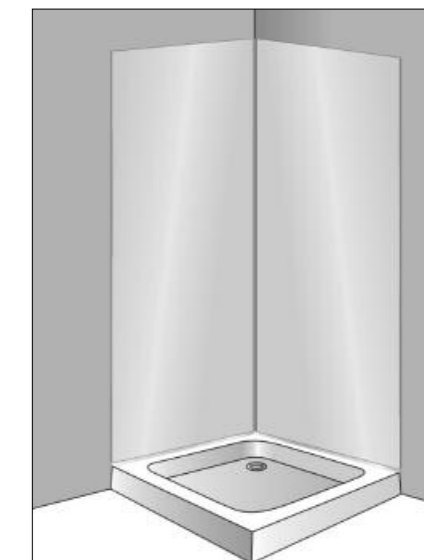


Fig 12.

### 3 Sided Shower Enclosure

When installing three Selkie Boards in a 'U' shape formation - follow the above guidelines, however ensure that the second internal corner profile is fitted to 'panel 2' - middle panel, prior to fixing to 'wall and before 'installing panel 3' (fig 13).



Fig 13.

It is always wise to dry fit first to ensure a good fit.