

senses

BATHROOM WORKTOPS

Laminate work surfaces for bathrooms

senses

BATHROOM WORKTOPS

The Senses bathroom worktop range is a superb selection of high quality, great value 30mm thick worktops. Complemented by matching Selkie Boards you have a choice of five stylish decors each featuring a distinct surface finish - gloss.*

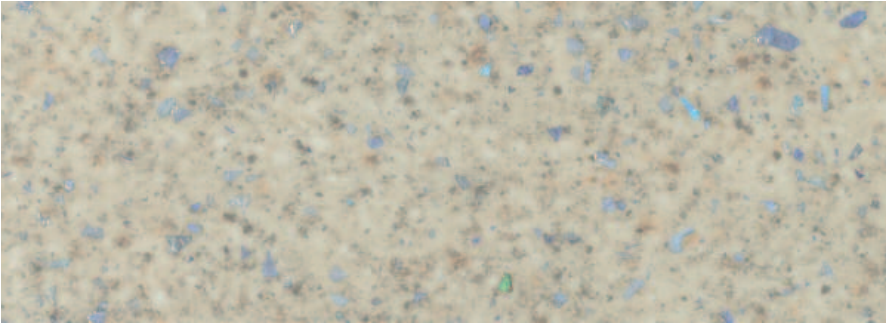
Matching laminate end strips are provided and should be used to finish and seal exposed end cuts. All Senses products carry a 10 year guarantee against manufacturing defects, subject to normal cleaning, usage and correct installation.**

Worktops are available in two sizes

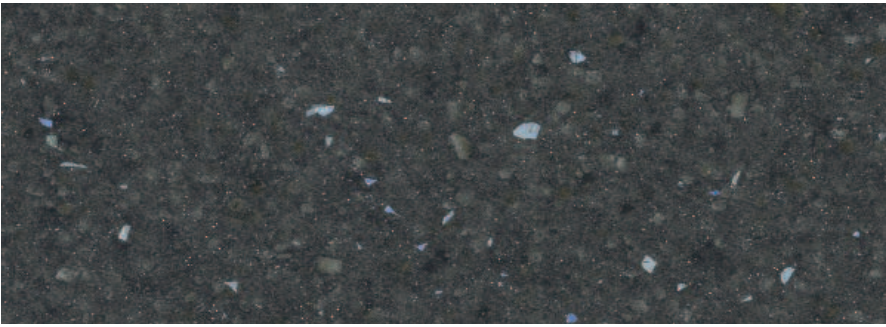
3000 x 320 x 30mm
1500 x 320 x 30mm

Constructed in Post formable HPL Décor laminate with an MR MDF core and laminate compensator to reverse with a round bull nosed finish.

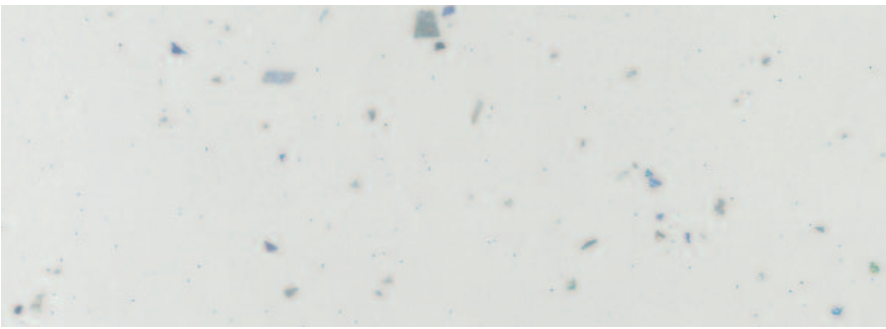




Sand Pebble Sparkle (Gloss)



New Graphite Sparkle (Gloss)



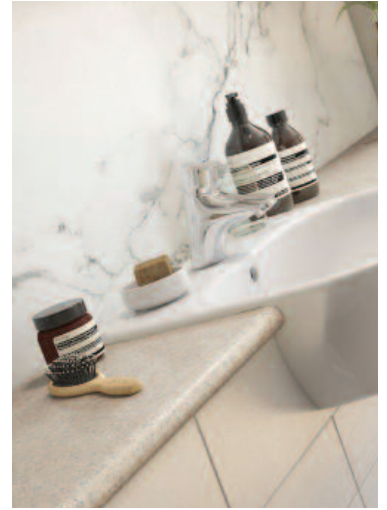
New Pure Sparkle (Gloss)



New Noir Sparkle (Gloss)



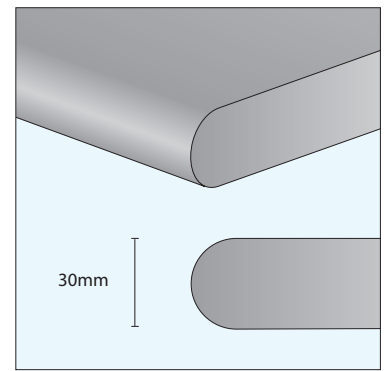
White Gloss



Sand Pebble Sparkle



White Gloss



Bullnose Profile



New Noir Sparkle



New Pure Sparkle

Cleaning and Care Instructions

Cleaning and caring for Senses laminate surfaces is simple. Usually a moist cloth is sufficient to remove soap residue or spillages.

Stubborn marks can be removed with a specialist solvent cleaning product such as methylated spirit or alcohol (always read the manufacturer's instructions).

Never use wire scourers, brushes or abrasive cleaners.

Cut-outs must have a radiused internal corner i.e no sharp/90° corners.

** When installing, all cuts that expose the core material and any joints must be sealed against moisture ingress with the assistance of silicone.



REARO®

Rearo, Loanbank House, Loanbank Quadrant, Govan, Glasgow, G51 3HZ
Tel: 0141 440 0800 Fax: 0141 445 3342 www.rearo.co.uk sales@rearo.co.uk

Rearo WASHINGTON

Unit 15, Tilley Road
Crowther Industrial Estate
Washington
Tyne & Wear
NE38 0AE
T: 0191 482 2298
F: 0191 482 6245
E: washington@rearo.co.uk

Rearo NORTHAMPTON

5 Rye Hill Close
Britannia Trade Park
Northampton
NN5 7UA
T: 01604 212 559
F: northampton@rearo.co.uk

Rearo SHETLAND

Staneyhill Gas Depot
North Road
Lerwick
Shetland Isles
ZE1 0QA
T: 01595 692807
F: 01595 695469
E: lerwick@rearo.co.uk

Rearo ROSYTH

Unit 15 & 16 Primrose Lane
Dunfermline Business Park
Rosyth
KY11 2RN
T: 01383 414000
F: 01383 414400
E: rosyth@rearo.co.uk